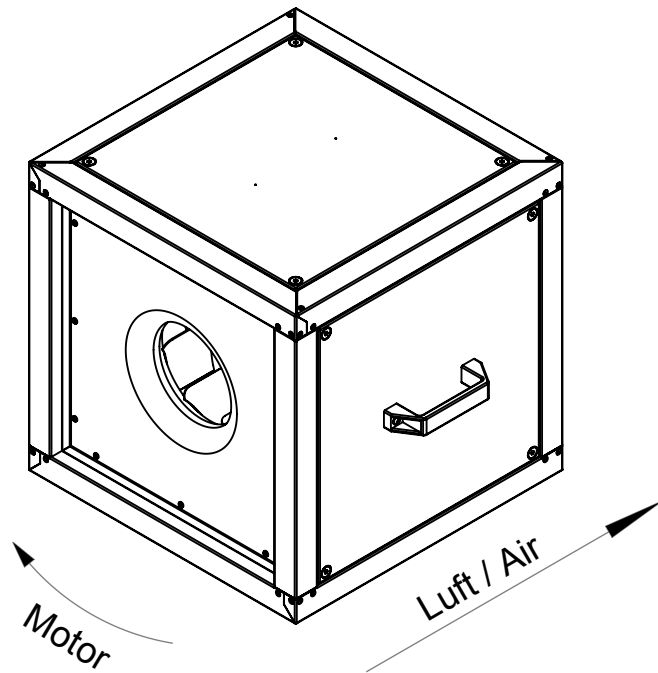
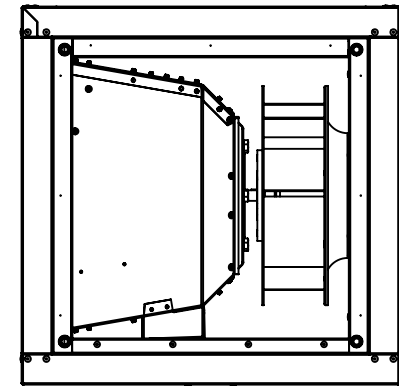


Anschlussmaß innen
min. $\varnothing 220$
Connection size inside
min. $\varnothing 220$



1:10 A4 mm



Protection Mark
according to ISO16016

General tolerances
DIN ISO 2768-c

MPC250D2T30+

ruck Ventilatoren
Max-Planck-Str. 5
D-97944 Boxberg

Drawn: d.hancu
Created: d.hancu
Changed: d.hancu

18.07.17
18.07.17
08.08.17

140682 00