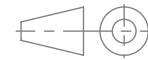
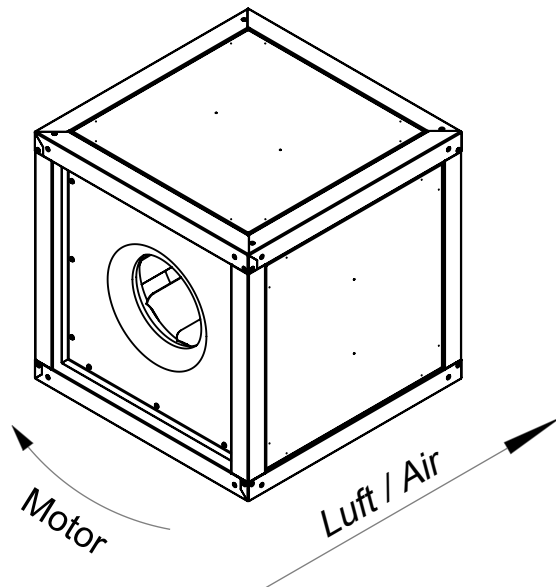


Anschlussmaß innen
min. \varnothing 240
Connection size inside
min. \varnothing 240



1:8 A4 mm

ruck^{EU}
VENTILATOREN

Protection Mark
according to ISO16016

General tolerances
DIN ISO 2768-c

MPC280E2T20+

ruck Ventilatoren
Max-Planck-Str. 5
D-97944 Boxberg

Drawn: d.hancu
Created: a.mezei
Changed: p.guti

11.09.14
19.11.12
25.07.16

126681 02